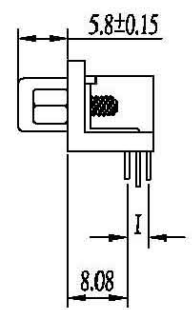
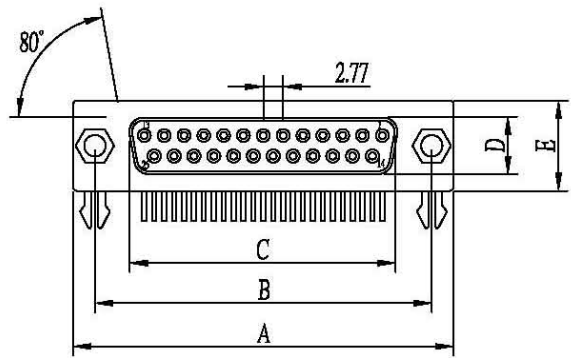
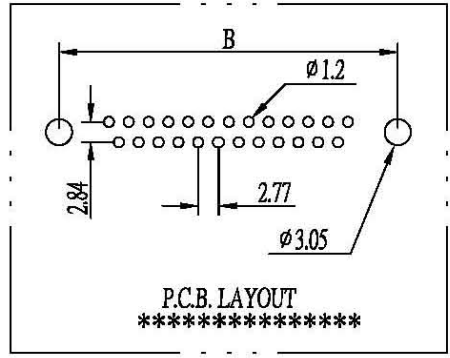
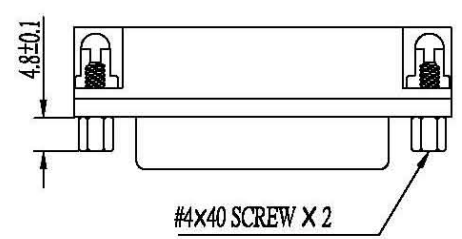


REV.	ECN NO	LOCATIONS	DESCRIPTION	DATE	REVISER	APPD



- Note:
- Material:
 - Insulator: High temperature thermoplastic with g.f,UL94v-0
 - Contact: Copper alloy,t=0.20mm
 - Shell: Spcc,t=0.30mm
 - Specification:
 - Current rating: 1 A Max.
 - Dielectric withstanding voltage: 750 V(ac) for 1 min.
 - Contact resistance: 30 mW Max.
 - Insulation resistance: 1000 MW Min.
 - Total mating force: 7.0 Kgf Max.
 - Total unmating force: 1.5 Kgf Min.
 - Temperature range: -55°C~85°C

A	F TYPE	B	R TYPE	C	RF TYPE

8	Back-shell			
7	Front-shell			
6	Clip			No finish
5	Contact			Selective Au plated on mating area
4	Contact			
3	Contact			
2	Contact			
1	Housing			Black
No.	Name	Q'ty	Part No.	Finish

Pin no.	A±0.25	B±0.2	C±0.2	D±0.2	E±0.2	I±0.1
9	30.81	24.99	16.33	7.90	12.55	2.84
15	39.25	33.32	24.66	7.90	12.55	2.84
25	53.04	47.04	38.38	7.90	12.55	2.84
37	69.32	63.50	54.84	7.90	12.55	2.84

UNIT	mm	Projection	Secon International Enterprise Co., Ltd.			
TOLERANCES			TITLE			
General Tolerance		Angle Tolerance		D-SUB connector right angle P.B.C. Female Type		
.x = ± 0.3		x. = ± 1°				
.xx = ± 0.2		.x = ±				
.xxx = ± 0.1						
DRAWN Kevin			DATE	2009/5/17		
SCALE 1:1			SIZE	A4		
SHEET			1/1		REV	A0