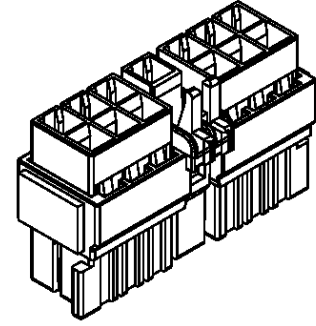
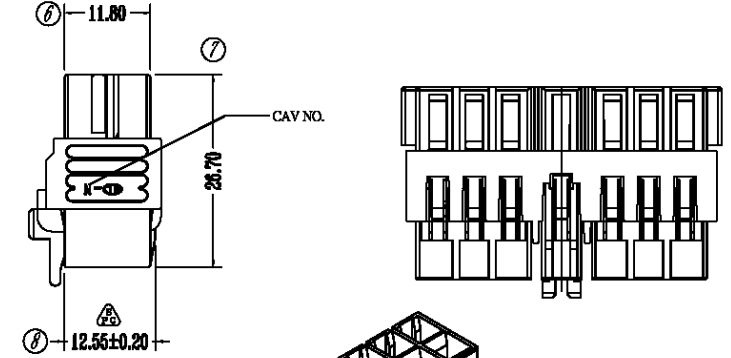
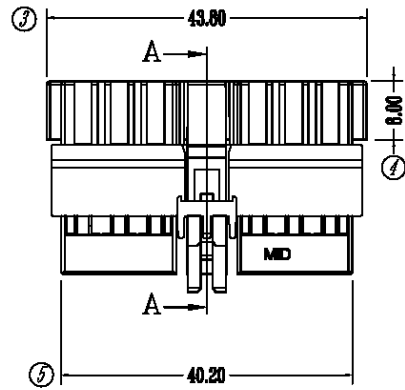
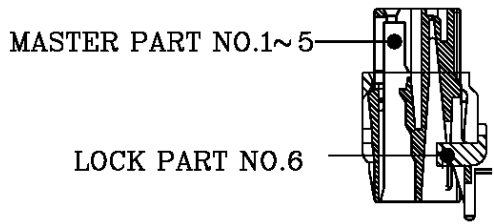
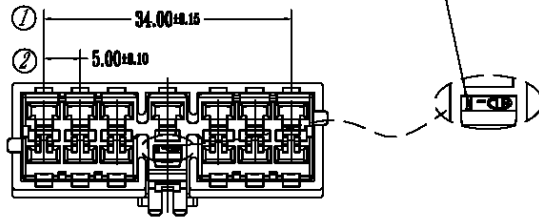


1 2 3 4 5 6 7 8

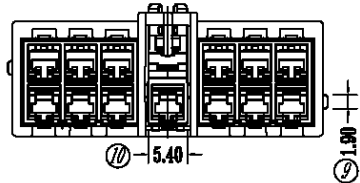
修訂 Revision

記號 MARK	版本 REV	修訂內容 DESCRIPTION	變更單 ECN	日期 DATE	繪圖 DWN.
	1.0	新版 NEW VERSION		2010.07.05	郝猛

NOTE:
1. ALL THE DIMENSIONS ARE MEASURED UNDER
GRADE "B" UNLESS OTHERWISE SPECIFIED.



SECTION A-A



產品規格圖

lock	2	85MID13FBC	--	鍍合金	NATURE	---	---
MASTER	1	8MID13FORM10OR	--	PA66-GF	ORANGE	---	6840101-2 PSS
F.P.		MID13FOR	1+2	PA66-GF	ORANGE	---	6840101-2 PSS
類別 Type	NO.	產品編號 Part Number	構成零件 Composed parts	材質 Material	顏色 Color	對手件 Counter P/No.	配合端子 Applicable Ter.

UNIT	mm	Projection	Scale	Secom International Enterprise Co., Ltd.			
TOLERANCES				TITLE			
GRADE	A	B	118 Type Female Housing				
< 10.0	± 0.15	± 0.2	PART NO. SMID13FB				
> 10.0	± 0.2	± 0.3					
> 50.0	± 0.3	± 0.55					
> 100.0	± 0.5	± 0.95					
> 250.0	± 0.75	± 1.40					
Angle	±30°	±30°					
DRAWN	Kevin	DATE	2010/7/5				
SCALE	Free	Material	PVC	SHEET	1/1	REV	A0

1 2 3 4 5 6 7 8

A
B
C
D
E
F

A
B
C
D
E
F