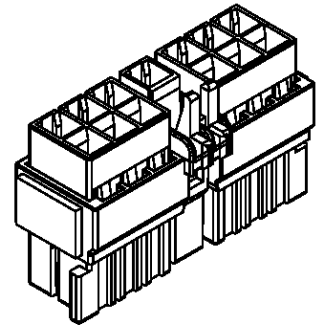
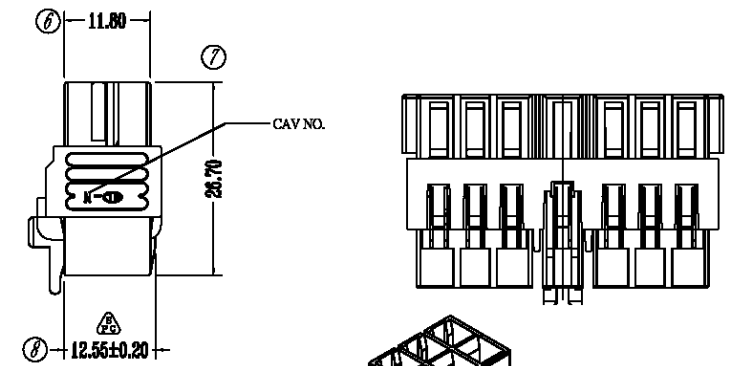
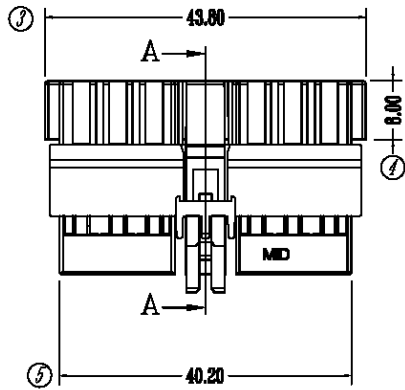
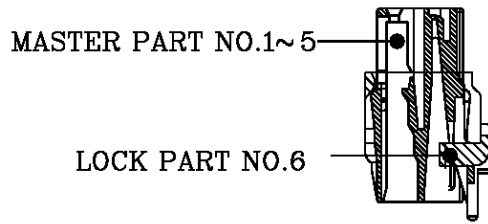
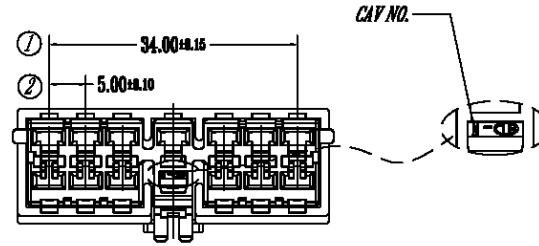


1 2 3 4 5 6 7 8

修訂 Revision

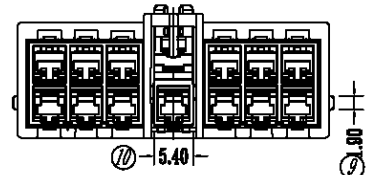
記號 MARK	版本 REV	修訂內容 DESCRIPTION	變更單 BCN	日期 DATE	繪圖 DWN.
	1.0	新版 NEW VERSION		2010.07.05	郝猛

NOTE:
1. ALL THE DIMENSIONS ARE MEASURED UNDER GRADE "B" UNLESS OTHERWISE SPECIFIED.



SECTION A-A

產品規格圖A



UNIT	mm	Projection	Se	Second International Enterprise Co., Ltd.			
TOLERANCES				TITLE			
GRADE				118 Type Female Housing			
				PART NO. SMID13FB			
DRAWN				DATE			
SCALE				SHEET			

類別 Type	NO.	產品編號 Part Number	構成零件 Composed parts	材質 Material	顏色 Color	對手件 Counter P/No.	配合端子 Applicable Ter.
lock	2	85MID13FBC	--	鋅合金	NATURE	---	---
MASTER	1	3MID13FLM10BL	--	PA66-GF	BLUE	---	6840101-2 PSS
F.P.		WDI13FBL	1+2	PA66-GF	BLUE	---	6840101-2 PSS

1 2 3 4 5 6 7 8

A

B

C

D

E

F

A

B

C

D

E

F