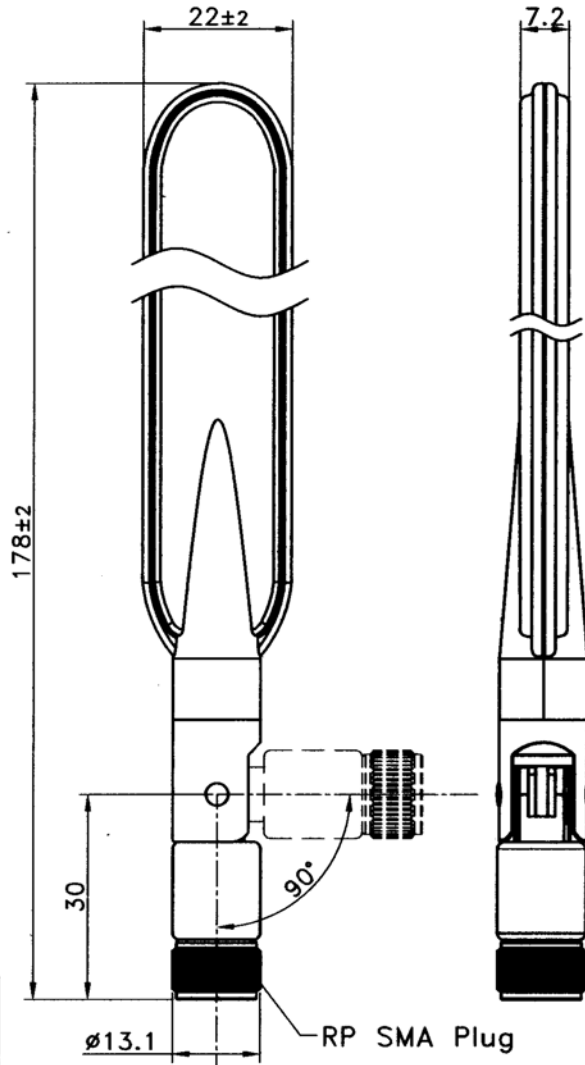


REV	ZONE	DESCRIPTION	ENG	APPROVED	DATE



Electrical Properties	
Frequency Range	2.4/5.X GHz
Impedance	50Ω
V.S.W.R.	≤2.5
Radiation	Omni
Gain	5 dBi
Polarization	Vertical
Mechanical Properties	
Whip	-
Connector	Brass
Weight	-
Operating Temp	-20°C~+65°C

UNLESS OTHERWISE SPECIFIED TOLERANCES ON: ± 0.5	DATE: 2010/8/12	MAT'L:	Seconn International Enterprise Co., Ltd.
	UNIT: mm	FINISH: Black	
THIRD ANGLE PROJECTION	SCALE: 1/1	TITLE : Indoor Dipole Antenna	
APPROVED BY:	CHECKED BY:	DESIGNED BY:	DRAWN BY:
MODEL NO. :			REV
PART NO. : ANT-S2458-05			00