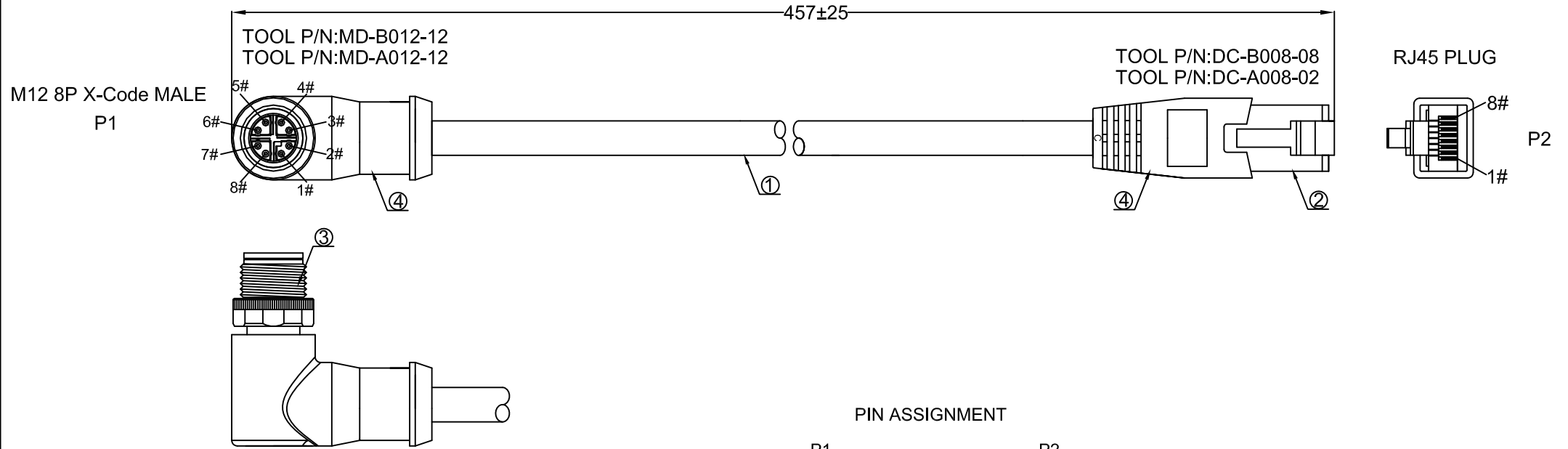


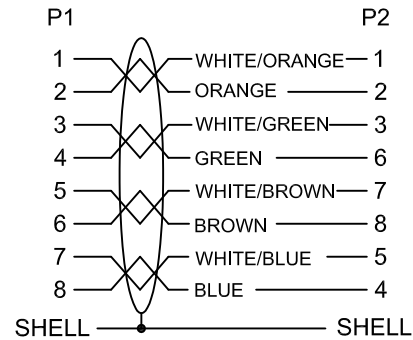
RoHS COMPLIANT

DESCRIPTION CONTROL

REV	DESC	DATE	APP
A	FIRST RELEASE	2021/10/06	



PIN ASSIGNMENT



NOTES:

- PIN ASSIGNMENT SEE TO WIRE LIST.
- ELECTRICAL TEST CONDITION:
 - 100% OPEN, SHORT & MISWIRE TEST,
 - INSULATOR RESISTANCE: 20 Mohm MIN. DC 300V 0.01sec.
 - CONTACT RESISTANCE: 3ohm MAX.

ITEM	QTY	PART NUMBER	DESCRIPTION
4		G0001	ALL CONNECTORS OVERMOLD BLACK PVC .
3	1	A0825	M12 8P X-Code MALE BLACK INSULATOR SOLDER TYPE.
2	1	A0650	RJ45 8P8C PLUG, WITH SHELL, CAT6.
1	1	E0762	SSTP CAT. 6 (26AWG*1PAIR+AM)*4PCS+BRAID OD:6.2MM BLACK PVC JACKET .CSA

UNIT	mm	Projection			Secon International Enterprise Co., Ltd.		
DRAWN	<i>Lu yangchun</i>	SCALE	FREE	TITLE			
CHECK, BY		REV	A	90°M12 8P X-Code M/RJ45 M			
APP, BY		DATE	2021/10/06	TOLERANCES			
DWG NO.	SE-S-0432			X.= ±	.X= ±	.XX= ±	.XXX= ±
PART NO.	SE-S-0432			SHEET	1/1	SIZE	A4