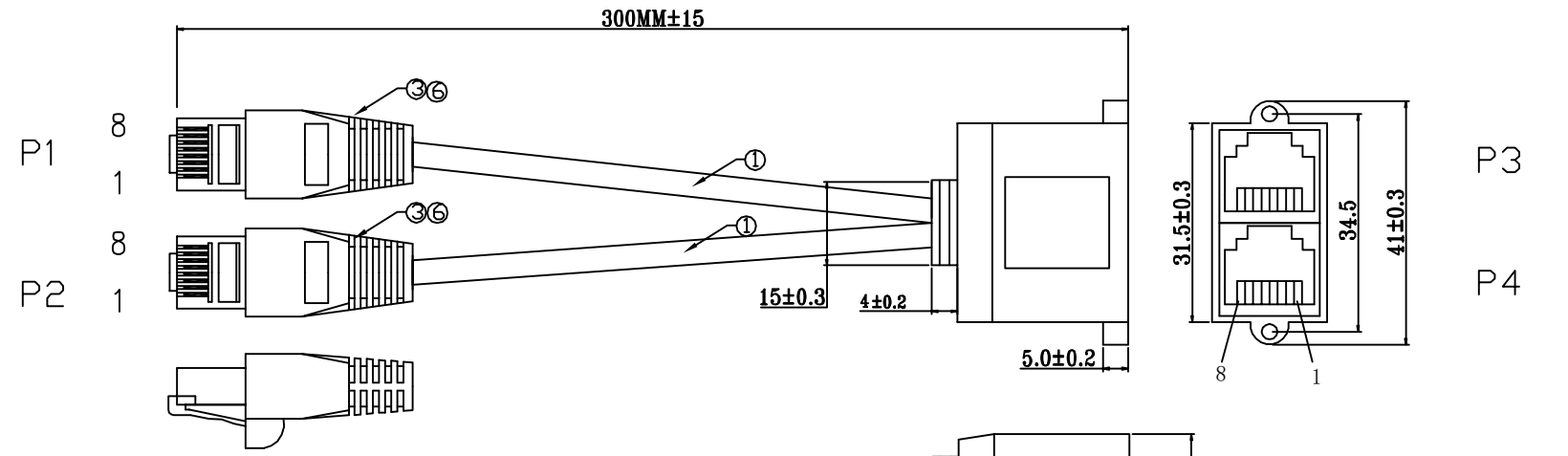
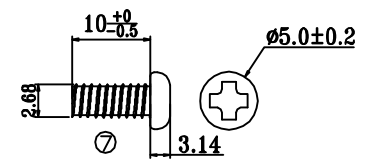
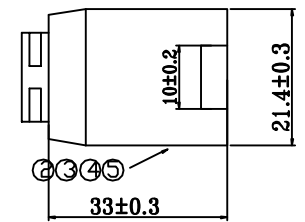
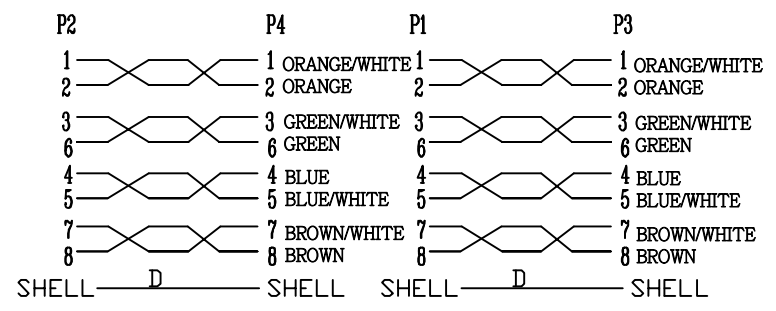


變更內容	變更日期	版本
Revise SR Length 4.0mm	20210720	A1
Revise Wire OD 6.0mm	20210903	B



PIN ASSIGNMENT



PACKING:

1. 1 PCS / BAG
2. THE SCREWS PACK SEPARATELY IN A BAG, DON'T INSTALL ONTO THE CABLE

PART LIST: ALL "ROHS" COMPLIANT, ALL MATERIALS ARE EQUIVALENT.

7	UNC#4-40	2	PCS
6	8P8C RJ45 PLUG SHELL NICKEL PLATED CONTACT GOLD FLASH	2	PCS
5	HEX NUT #4-40	2	PCS
4	PE INNER MOLDING		G
3	BLACK 45P PVC		G
2	8P8C RJ45 RECEPTACLE SHELL NICKEL PLATED PIN GOLD FLASH	2	PCS
1	CAT6 FTP/STP 26AWG*4P +D OD:6.0MM±0.3 COLOE: BLACK.	2	PCS
ITEM	STANDARD SPECIFICATION	Q' TY	UNIT

Seconn International Enterprise Co., Ltd.

TOLERANCES		PROJECTION	TITLE			
AS DRAWING			Dual Stacked RJ45 8P8C Receptacle Locking Type to RJ45 8P8C Plug x 2 PCS Cable L: 300mm			
		UNIT				
		mm				
DRAWN	Tan	DATE	2021/05/05	PART NO.	SC-S-2105-0510	
SCALE	X:1	SIZE	A4	SHEET	1/1	REV B