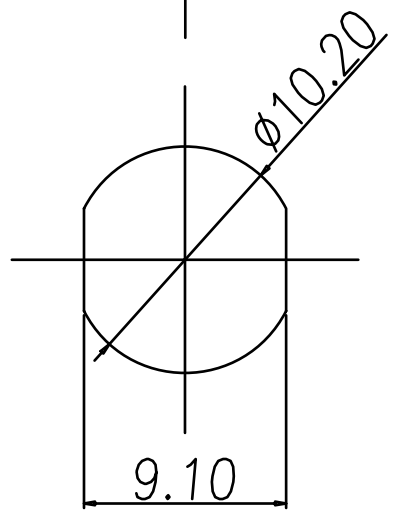
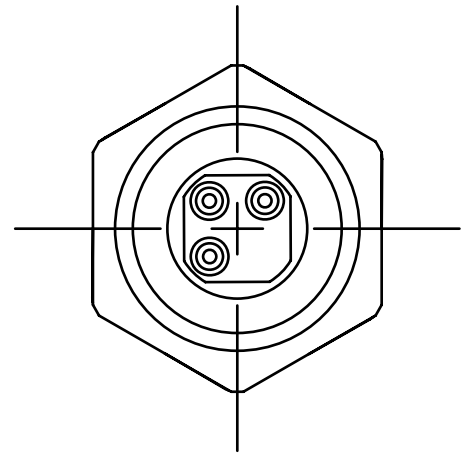
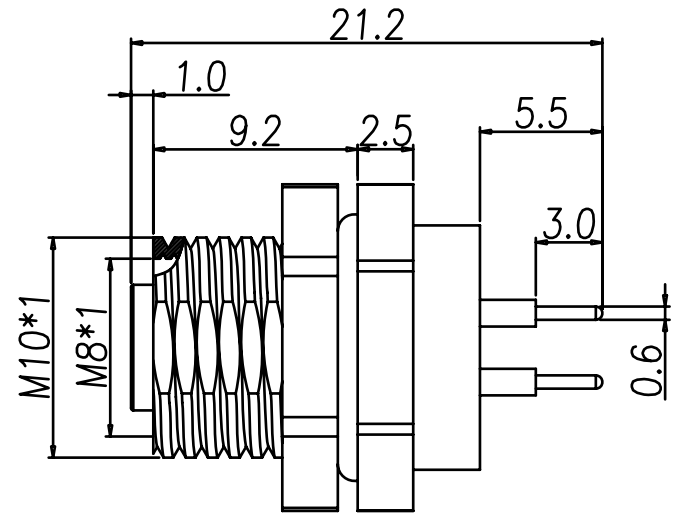
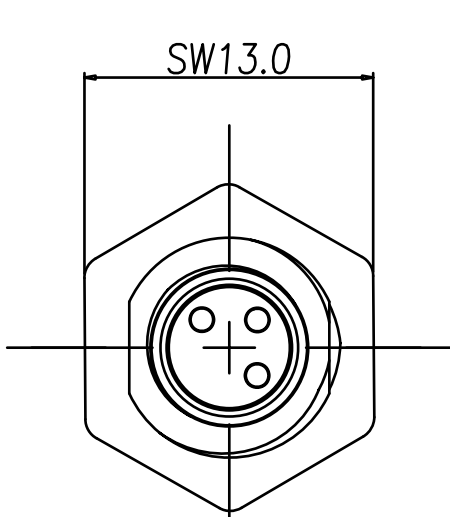


5	6	7	8
REV	REPLACEMARKING	REPLACE DATE	SIGNATURE CHECKED BY



SPECIFICATIONS:
 1.RATED CURRENT:4A
 2.VOLTAGE:60V
 3.DEGREE OF PROTECTION:IP67
 4.TEMPERATURE:-25~+85°C
 5.CONTACT RESISTANCE: $\leq 3m\Omega$

6	SEALANT	RESIN GLUE		COLOR: BLACK
5	D-Ring	NBR	1	COLOR: BLACK
4	NUT	COPPER	1	FINISH: NICKEL
3	SHELL	COPPER	1	FINISH: NICKEL
2	CONTACT	COPPER	3	FINISH: GOLD FLASH
1	HOUSING	PBT+30%GF	1	COLOR: BLACK
NO	TITLE	MATERIAL	QTY	NOTE

UNIT	mm	Projection		Seconn International Enterprise Co., Ltd.			
TOLERANCES				TITLE			
50-100mm ± 0.20				M8 3 Pin Female Front Fastened Dip Type Connector			
10-50 mm ± 0.15 61°~90° ± 0.5°							
05-10 mm ± 0.10 31°~60° ± 0.3°							
00-05 mm ± 0.05 00°~30° ± 0.1°							
DRAWN	Jack Lu	DATE		PART NO.	M8-S03F04D		
SCALE	1:1	SIZE	A4	SHEET	1/1	REV	A/0