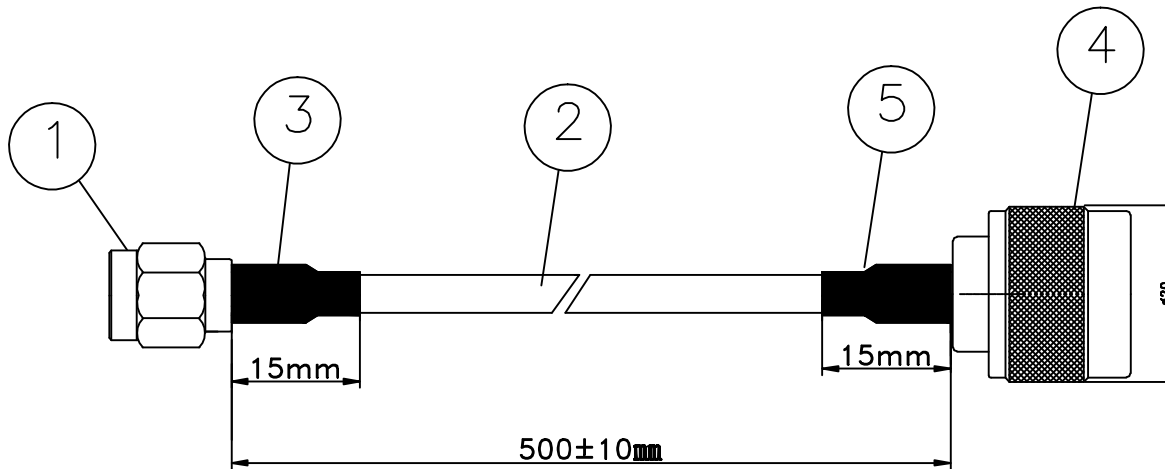


REV	DESCRIPTION	DRAWN DATE



BILL OF MATERIAL			
ITEM	Q'TY		DESCRIPTION
1	1	ST-7801	SMA MALE CRIMP TYPE
2	1	CABLE-RG58U	RG58U BLACK
3	2	HT000005	HEAT SHRINK TUBING φ3.5*15mm
4	1	ST-7301	N MALE RG58U
5	1	TH000012	HEAT SHRINK TUBING φ5.0*15mm

DRAWN YOYO	DRAWN DATE 2016-02-24	TOLERANCE .X± .XX± .XXX± ANGLES±	SCALE		TITLE N MALE TO SMA MALE CRIMP CABLE RG58U BLACK WIRE	SECONN INTERNATIONAL ENTERPRISE CO., LTD.
CHECKED	APPROVED		UNIT m/m		SH 1 OF 3	