

1 2 3 4 5 6 7 8

inches
mm

Specifications:

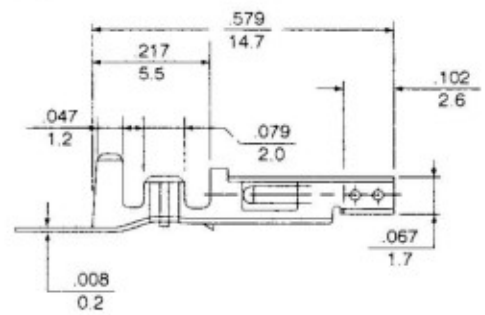
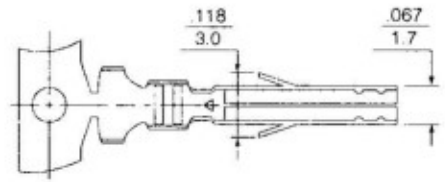
● **Electrical:**

- Voltage Rating: 600V (R.M.S.)
- Contact Resistance: 10mΩ max.
- Dielectric strength: 1500V AC

- UL File No. : E114003
- CSA File No. : LR86545

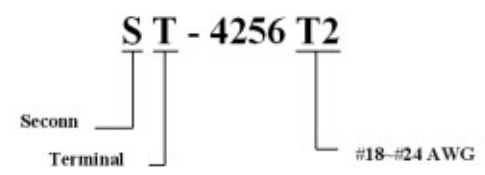
Mechanical:

- Temperature Rise: (Carrying rated current load) 30°C max.



Ordering & Dimensional Information:

Part No.	Wire Size (AWG)	Max. Ins. Dia. (mm)	Material	Thickness (mm)	Finish	Chain Type
4256T1	#22 - #28	1.8	Brass	0.2	Tin-plated	End Chain
4256T2	#18 - #24	3.1				
4256T3	#16	3.1				
4256TP1	#22 - #28	1.8	Phosphor Bronze			
4256TP2	#18 - #24	3.1				
4256TP3	#16	3.1				



UNIT	mm			Seconn International Enterprise Co., Ltd.			
TOLERANCES				TITLE			
				#18-#24 AWG Crimp Terminal			
				PART NO		ST-4256T2	
DRAWN		DATE		SHEET	1/1	REV	
SCALE		SIZE	A4				

1 2 3 4 5 6 7 8