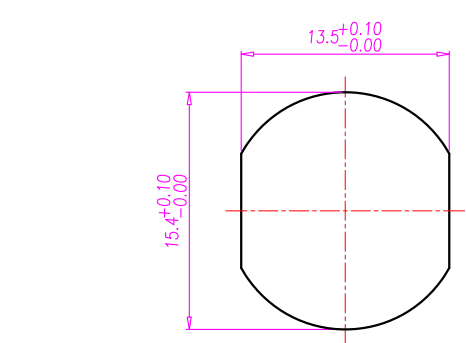
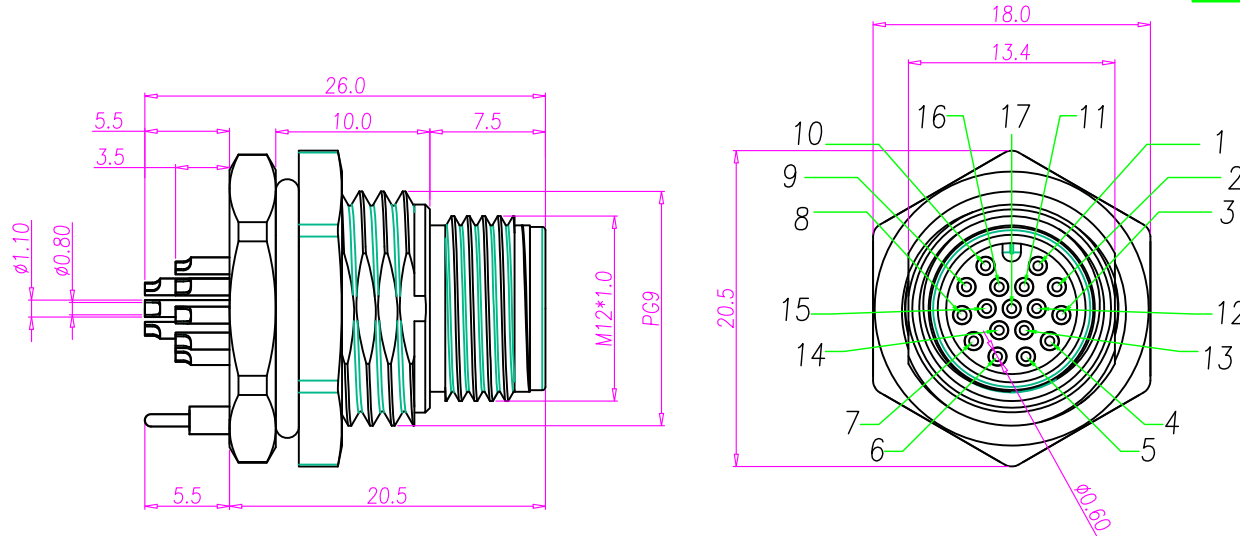
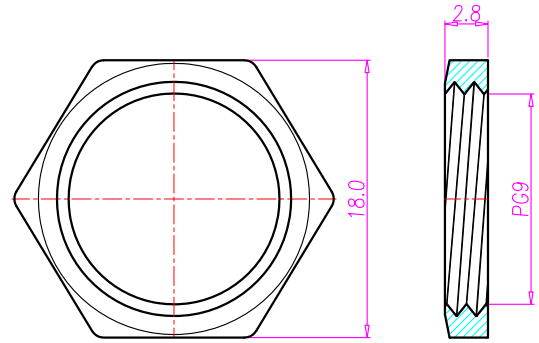


CUSTOMER DRAWING

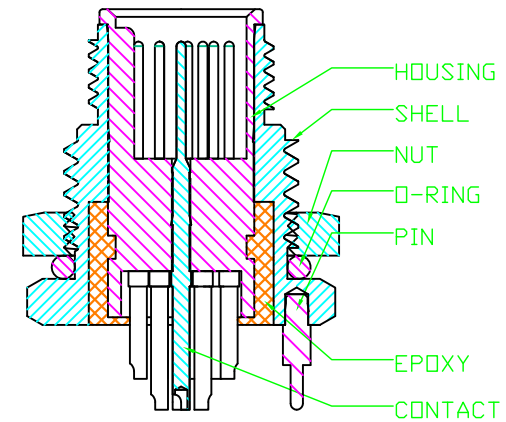
REV.	DESCRIPTION	APPROVED BY	DATE	ECN NO.
A	RELEASE	James	18/09/14'	
B				
C				



RECOMMEND PANEL CUT-OUT



NUT



- MATERIAL :
 - 1-1. HOUSING : PBT UL94V-0 ; COLOR : BLACK
 - 1-2. CONTACT : BRASS
 - 1-3. NUT : BRASS
 - 1-4. SHELL : BRASS
 - 1-5. O-RING : EPDM
 - 1-6. PIN : BRASS
 - 1-7. EPOXY : EF400A&EF400B ; COLOR : BLACK
- FINISH :
 - 2-1. CONTACT : 10 MICRO INCHES MIN. GOLD PLATED
UNDER PLATE : NICKEL
 - 2-2. NUT : NICKEL PLATED
 - 2-3. SHELL : NICKEL PLATED
 - 2-4. PIN : GOLD FLASH
- ELECTRICAL SPECIFICATION :
 - 3-1. Rated current : 5A
 - 3-2. Rated Voltage : 125V
 - 3-3. Water proof: IPX7
- Environmental :
 - 4-1. Operation Temperature : -40°C~85°C

Se Seconn International Enterprise Co., Ltd.

TOLERANCES		PROJECTION	TITLE				
x.x	= ± 0.20		M12 17 Pin Male Connector solder type for wire				
x.xx	= ± 0.10						
x.xxx	= ± 0.05						
x.xxxx	= ± 0.03	UNIT					
		mm					
DRAWN	James	DATE	2014/09/18	PART NO.	M12-S17M2-04-11		
SCALE	1:1	SIZE	A4	SHEET	1/1	REV	A