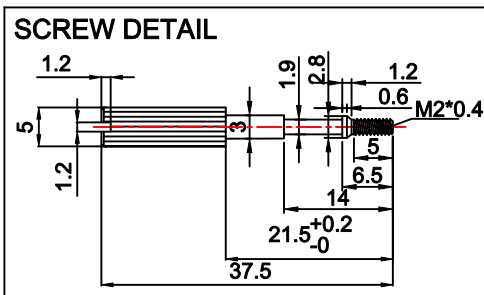
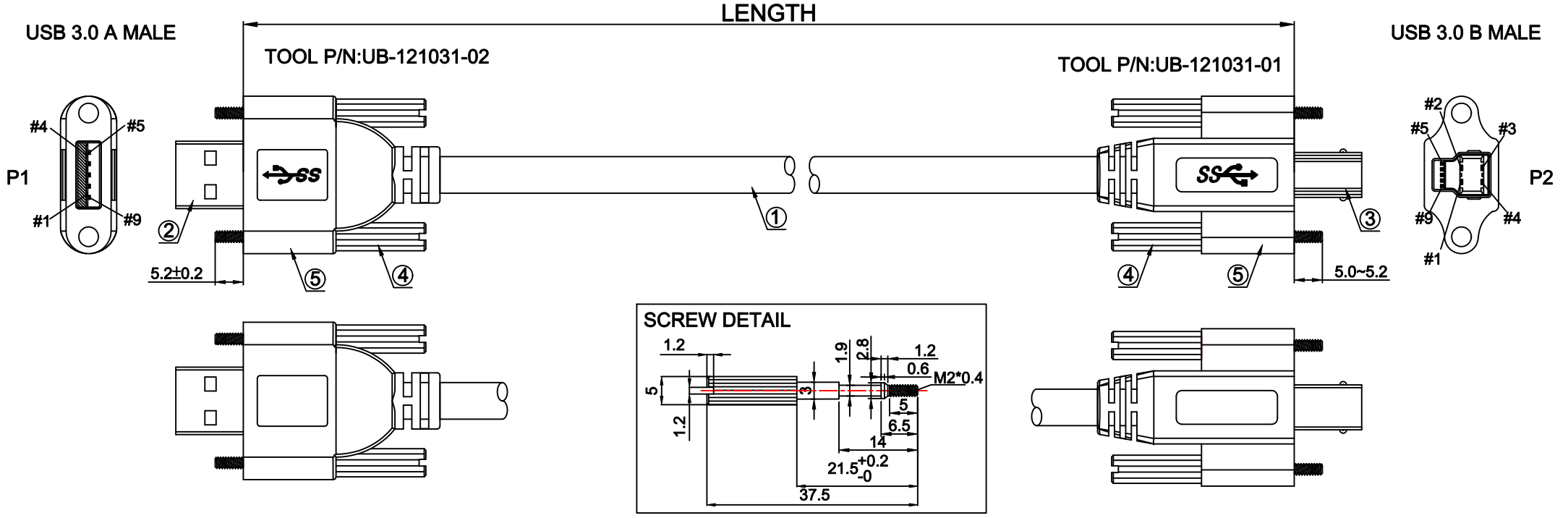


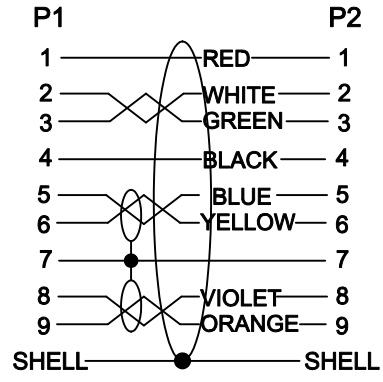
RoHS COMPLIANT

DESCRIPTION CONTROL			
REV	DESC	DATE	APP
A	FIRST RELEASE	2014/03/11	



PIN ASSIGNMENT

USB 3.0 A MALE USB 3.0 B MALE



NOTES:

- PIN ASSIGNMENT SEE TO WIRE LIST.
- ELECTRICAL TEST CONDITION:
 - 100% OPEN, SHORT & MISWIRE TEST,
 - INSULATOR RESISTANCE: 20 Mohm MIN. DC 300V 0.01~0.03Sec.
 - CONTACT RESISTANCE: 3ohm MAX.

ITEM	QTY	PART NUMBER	DESCRIPTION
5		G0027	ALL CONNECTORS OVERMOLD VIOLET PVC.
4	4	C0428	SCREW:M2*0.4 Ø5*37.5MM NICKEL PLATED.
3	1	A0688	USB3.0 B,MALE,BLUE INSULATTOR,SOLDER TYPE.
2	1	A0673	USB3.0 A ,MALE,BLUE INSULATTOR,SOLDER TYPE.
1	1	E1003 H1708V	(28AWG*1PAIR+D+AM+HM+SP+TEFLON)*2PCS+28AWG*1PAIR+24AWG*2C+F+AM+SP+TEFLON, OD:7.0MM,VIOLET PVC JACKET,UL2725.

Seconn International Enterprise Co., Ltd.

	REV.	DWG NO: SE-S-1269		
	A	USB3.0 AM to BM Cable with Screw		
DRAW,BY: <i>Deng zhifei</i>		SCALE	UNIT	SHEET
CHECK,BY: <i>Cao jiawei</i>		FREE	mm	1/1
APP,BY: <i>Mr.Huang</i>				