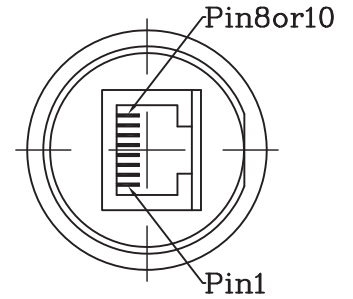
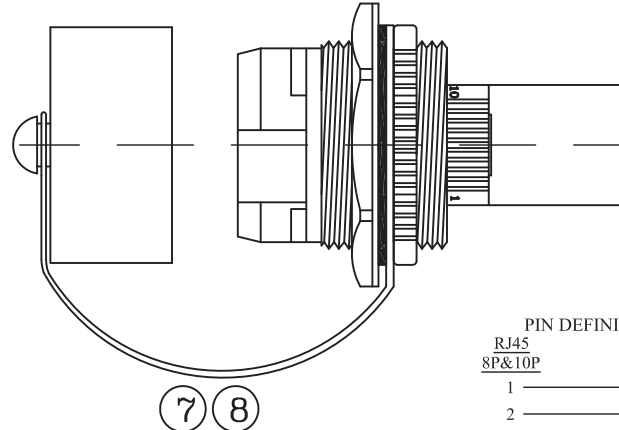
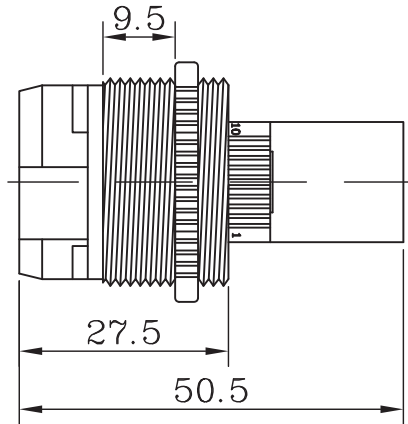
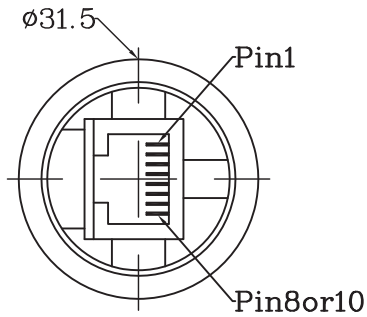
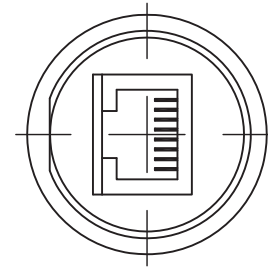
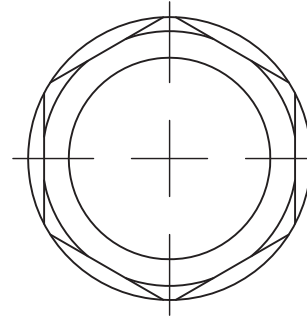
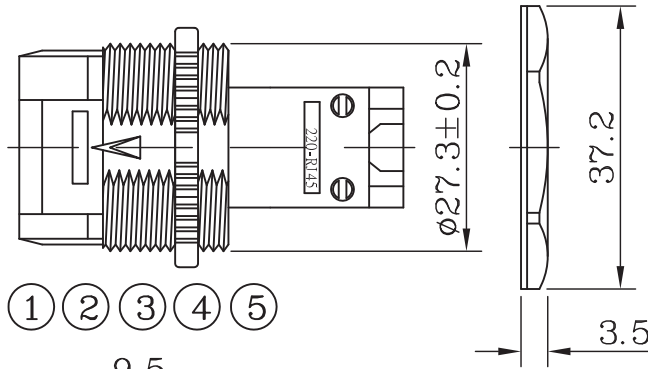
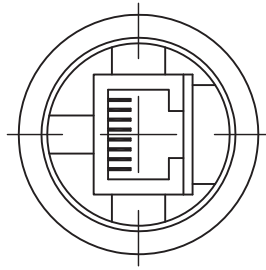


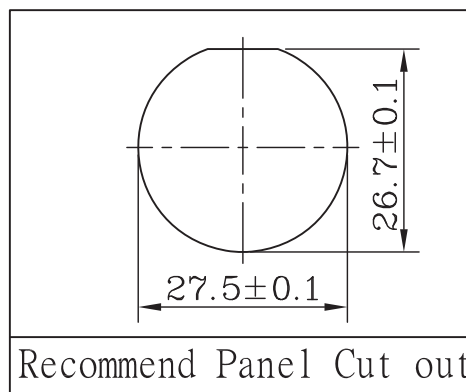
RJ45 JACK

RJ45 JACK



Note:
Waterproof rate: IP68
UV Resist

For Panel Thickness Max 5.0mm		
8	ROPE	EPDM Black
7	DUST COVER	EPDM Black
6	NUT	Nylon+GF Black -40~+105°C
5	GASKET	EPDM Black
4	EPOXY	Black
3	PCB	FR-4
2	RJ45 JACK	Shielded Jack 8Pin or 10Pin
1	HOUSING	Nylon+GF Black -40~+105°C
NO	PART NAME	INFORMATION



PIN DEFINITION	
RJ45 8P&10P	RJ45 8P&10P
1	1
2	2
3	3
4	4
5	5
6	6
7	7
8	8
9	9
10	10
Shield	Shield

Seconn International Enterprise Co., Ltd.

TOLERANCES			PROJECTION	TITLE			
AS DRAWING				Quick plug waterproof RJ45 Jack Panel Mount Outer Type Connector IP68 Waterproof			
			UNIT mm				
DRAWN	CHI	DATE	2015/12/15	PART NO.	S220-01XXPE1-SF+DC		
SCALE		SIZE	A4	SHEET	1/1	REV	A