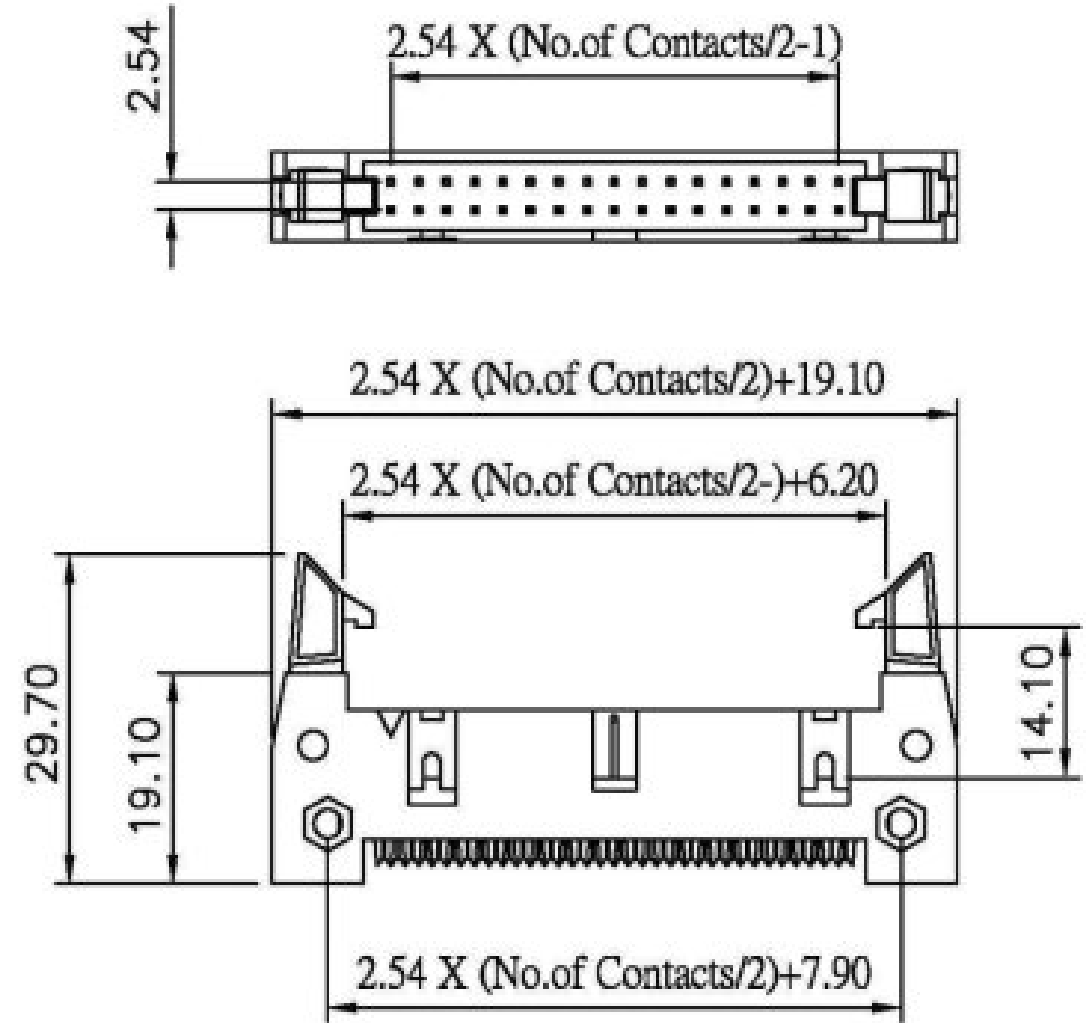
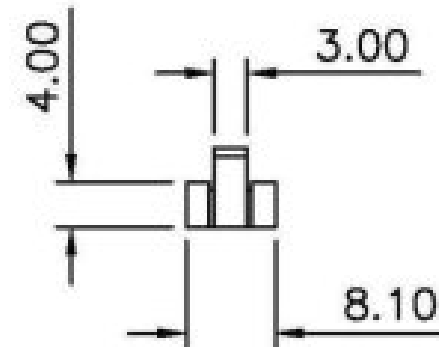
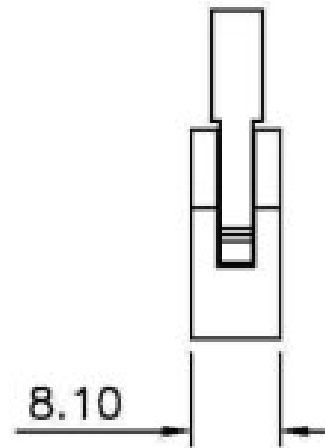
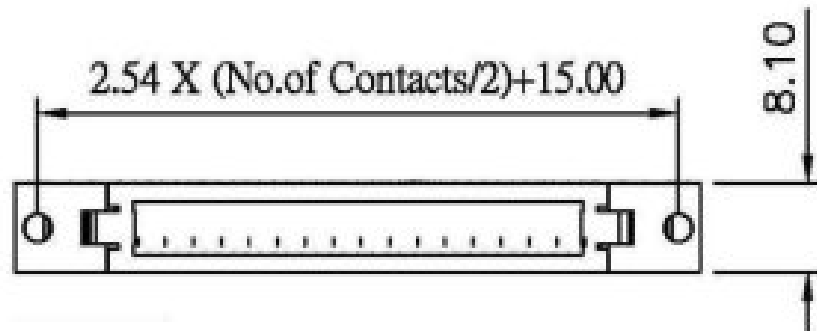
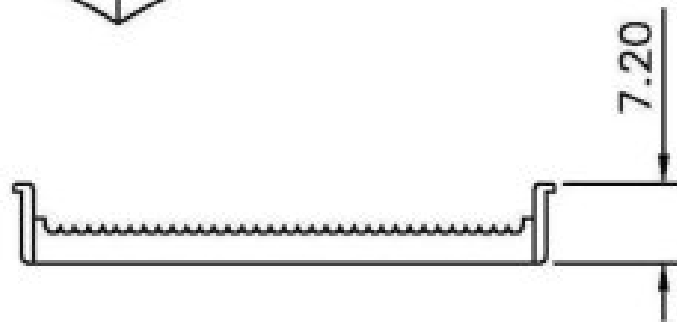
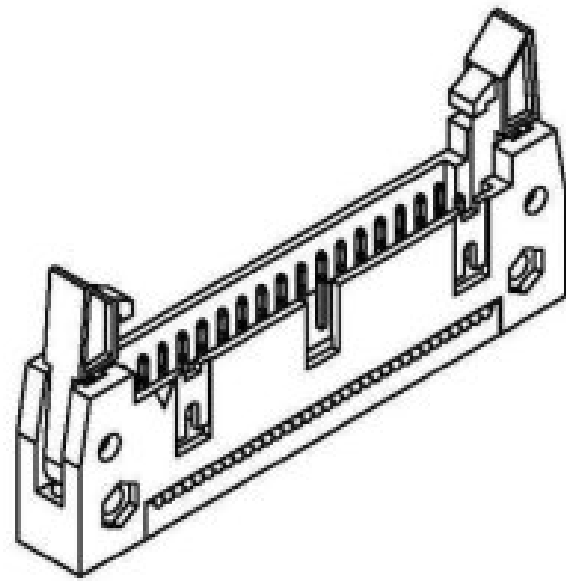


Current Rating: 3 Amps  
 Insulator Resistance: 1000 Megohms min  
 Dielectric Withstanding: AC 500 V  
 Operating Temperature: - 40° ~ +85° C  
 Contact Material: Copper Alloy  
 Insulator Material: Polyester, UL 94V-0  
 Standard: PBT  
 Finish: Gold Plated or Duplex Plated



**IDC -S B S XX - 2 X X L**  
 IDC Socket Series  
 Secom  
 Box Header  
 Straight  
 Number of Contacts  
 With/Latch  
 Package  
 N: Nickel Plated  
 G: Gold Plated  
 Dual Row

UNIT	mm			Secom International Enterprise Co., Ltd.			
TOLERANCES				TITLE			
.x = ±0.25 .xx = ±0.20				2.54mm pitch IDC Box Header W/Latches			
DRAWN		DATE		PART NO.	IDC-SBSXX-2XXL		
SCALE		SIZE	A4	SHEET	1/1	REV	