

RoHS COMPLIANT

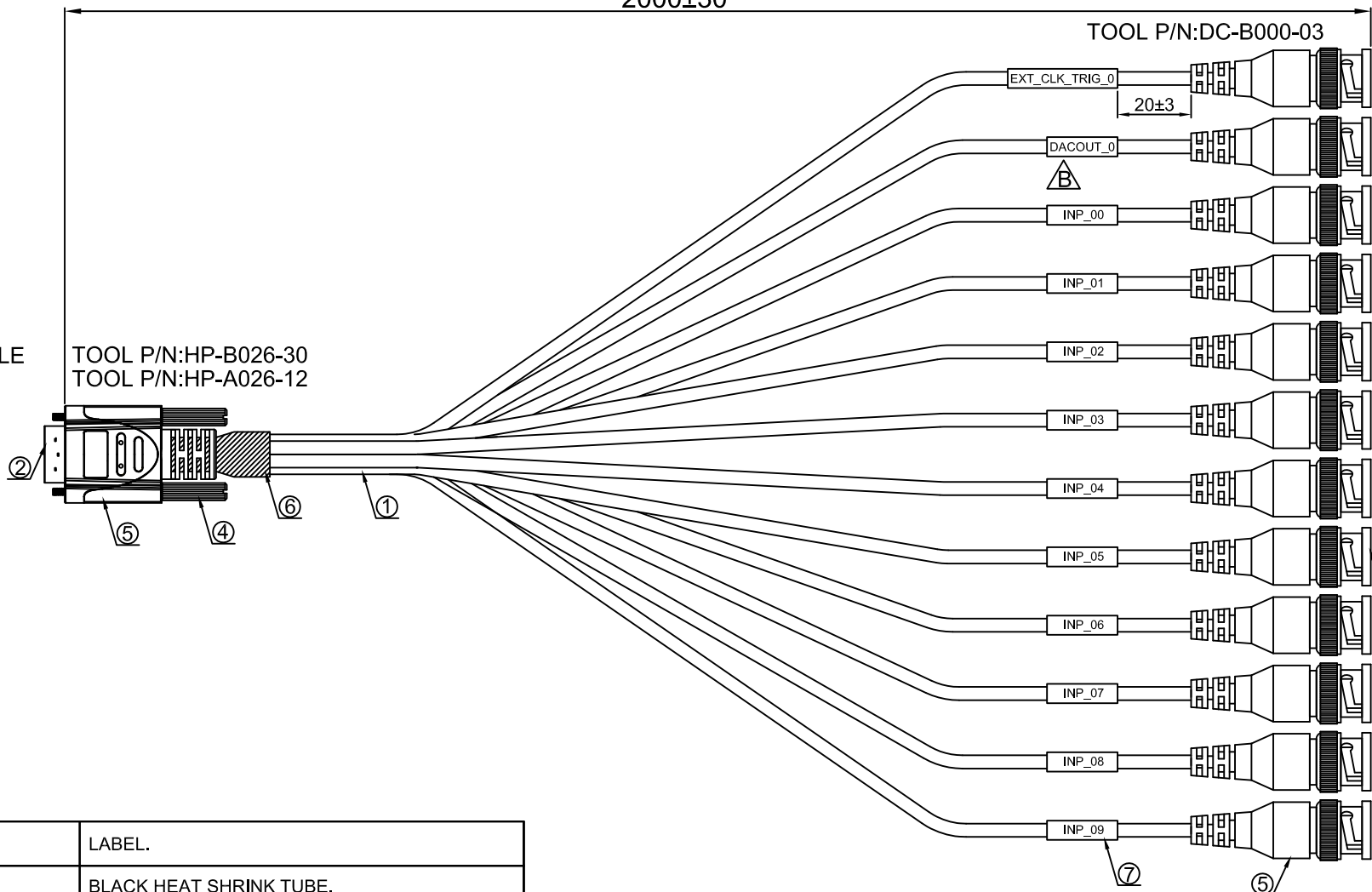
DESCRIPTION		CONTROL	
REV	DESC	DATE	APP
C	ADD BNC	2018/05/09	

2000±30

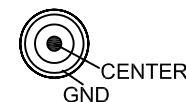
HDR26 MALE



TOOL P/N:HP-B026-30
TOOL P/N:HP-A026-12



BNC MALE

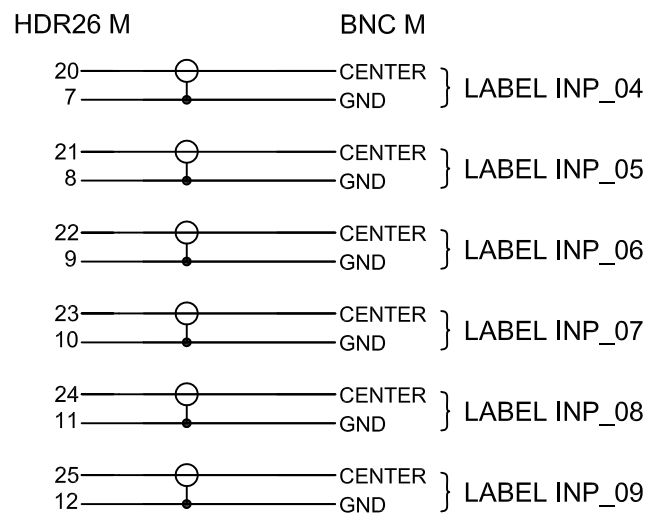
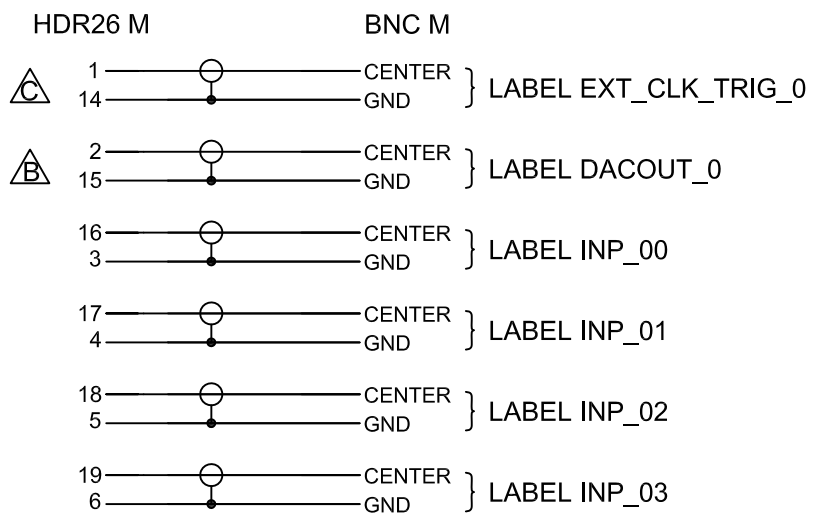


ITEM	QTY	PART NUMBER	DESCRIPTION
7	12		LABEL.
6	1		BLACK HEAT SHRINK TUBE.
5		G0001	ALL CONNECTORS OVERMOLD BLACK PVC.
4	2	C0243	SCREW:M2-0,4-6g 5.0*48,5MM NICKELPLATED.
3	12	A0031	BNC MALE CONNECTOR (50ohm).
2	1	A0500	Honda MINI26 MALE BLACK INSULATOR SOLDER TYPE.
1	12		RG-316 Coaxial Cable OD:2.5MM 50Ω FEP BROWN JACKET.

UNIT	mm	Projection			Seconn International Enterprise Co., Ltd.		
DRAWN	DENG ZHIFEI	SCALE	FREE	TITLE			
CHECK, BY	Cao jiawei	REV	C	HDR26 M/12*BNC M			
APP, BY	Mr.huang	DATE	2017/12/20	TOLERANCES			
DWG NO.	SE-S-0334			X.= ±	.X= ±	.XX= ±	.XXX= ±
PART NO.	SE-S-0334-2M			SHEET	1/2	SIZE	A4

DESCRIPTION CONTROL			
REV	DESC	DATE	APP
A	FIRST RELEASE	2017/12/20	
B	CHANGE LABEL	2018/01/23	
C	ADD BNC	2018/05/09	

PIN ASSIGNMENT



NOTES:
 1. PIN ASSIGNMENT SEE TO WIRE LIST.
 2. ELECTRICAL TEST CONDITION:
 (a).100%OPEN,SHORT & MISWIRE TEST,
 (b). INSULATOR RESISTANCE:20 Mohm MIN.
 DC 300V 0.01sec.
 (c). CONTACT RESISTANCE:3 ohm MAX.

UNIT	mm	Projection			Seconn International Enterprise Co., Ltd.		
DRAWN	DENG ZHIFEI	SCALE	FREE	TITLE			
CHECK, BY	Cao jiawei	REV	C	HDR26 M/12*BNC M			
APP, BY	Mr.huang	DATE	2017/12/20	TOLERANCES			
DWG NO.	SE-S-0334			X.= ±	.X= ±	.XX= ±	.XXX= ±
PART NO.	SE-S-0334-2M			SHEET	2/2	SIZE	A4