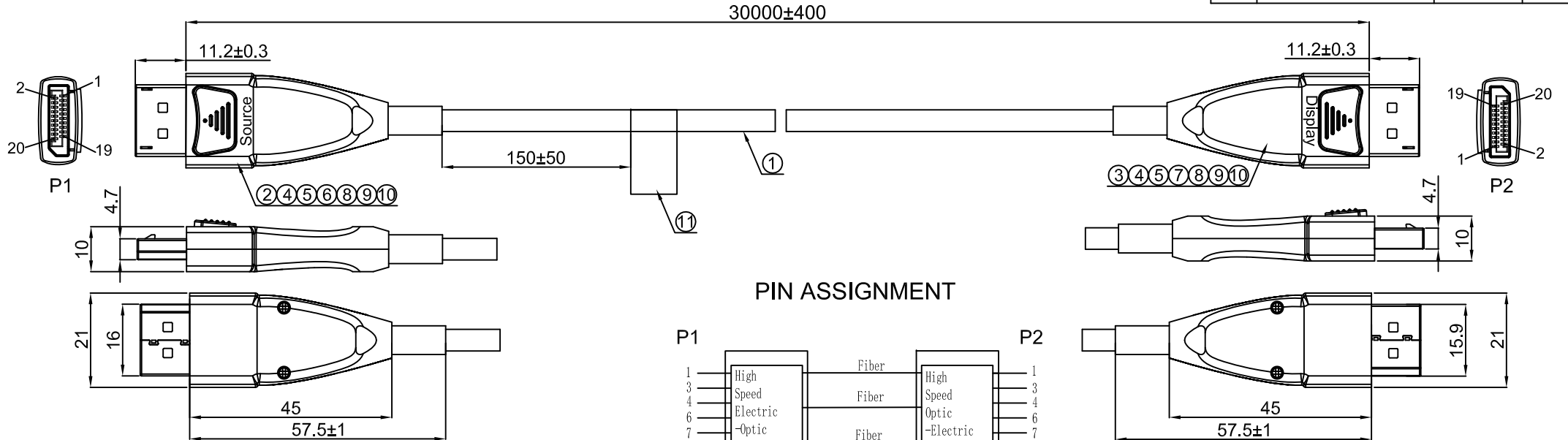
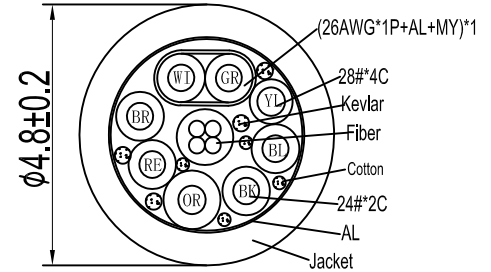
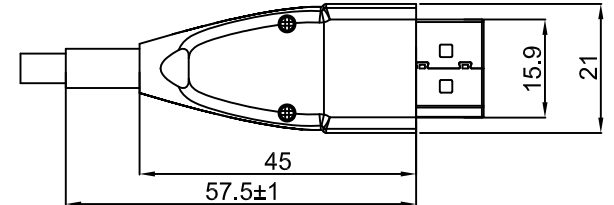
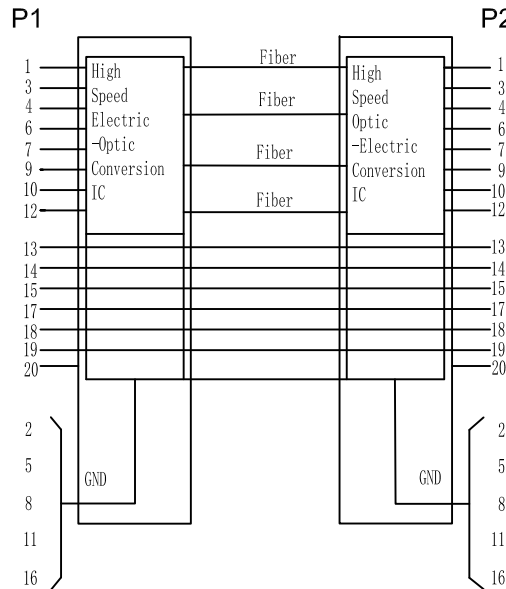


**RoHS COMPLIANT**

DESCRIPTION CONTROL			
REV	DESC	DATE	APP
A	FIRST RELEASE	2024/04/25	



**PIN ASSIGNMENT**



11	1		QR code
10	8		Screw
9	2		Clip
8	2		SR black
7	1		DP A male shell(Upper) Matte Black(Display)
6	1		DP A male shell(Upper) Matte Black(Source)
5	2		DP A male metal shell push botton Matte black
4	2		DP A male shell(Bottom) Matte Black
3	1		DP A PCBA (Display)
2	1		DP A PCBA (Source)
1	1		DP AOC (4 Fiber+8 Copper) Black PVC OD4.8±0.2MM
ITEM	QTY	PART NUMBER	DESCRIPTION

UNIT	mm	Projection			Seconn International Enterprise Co., Ltd.		
DRAWN	<i>Cao jin</i>	SCALE	FREE	TITLE			
CHECK, BY		REV	A	DP M/M AOC CABLE			
APP, BY		DATE	2024/04/25	TOLERANCES			
DWG NO.	SE-S-0448			X.= ±	.X= ±	.XX= ±	.XXX= ±
PART NO.	240410-A			SHEET	1/1	SIZE	A4